



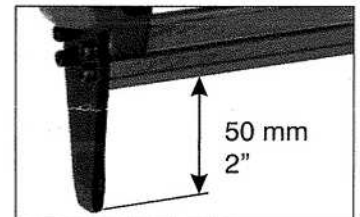
3G.16 SL Long Nose Upholstery Stapler

Use, Maintenance and Spare Parts Manual Part 2

July 2012



cod. 1144340



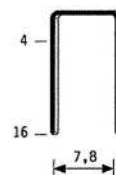
Technical Data

Usable Lengths	4mm - 16mm
Magazine Capacity (No. of fasteners)	185
Working Pressure	4 - 6bar, 60 - 90psi
Air Consumption	0.18 litres/shot
Weight	1kg
Dimensions (mm)	261 x 43 x 198
Sound Pressure at the workstation	83.5 dB(A)
Emitted sound power	88.7 dB(A)
Weighted mean value of vibration	<2.5 m/s ²

Type of Fastener

71 Series

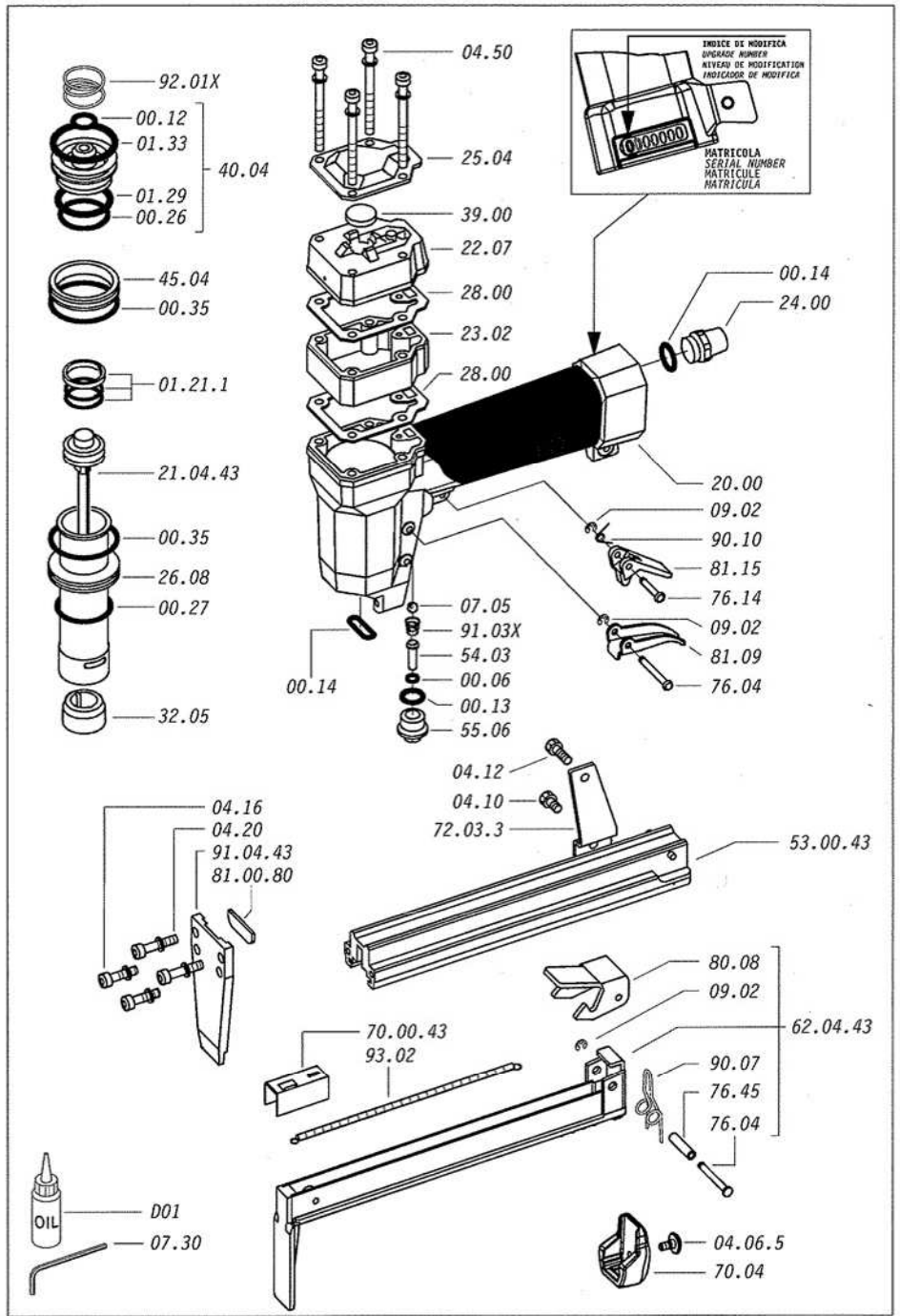
0,55x0,75



Crown: 0.9mm
Thickness: 0.55mm
Width: 0.76mm
Gauge: 23

Spare Parts

Cod.	Description
00.06	O-Ring
00.12	O-Ring
00.13	O-Ring
00.14	O-Ring
00.26	O-Ring
00.27	O-Ring
00.35	O-Ring
01.21.1	Gasket
01.29	O-Ring
01.33	O-Ring
04.06.5	Screw
04.10	Screw
04.12	Screw
04.16	Screw
04.20	Screw
04.50	Screw
07.05	Ball
07.30	Hex. bar wrench
09.02	Elastic ring
20.00	Body
22.07	Head
23.02	Extension
24.00	Silencer
25.04	Exhaust deflector
26.08	Cylinder
28.00	Gasket
32.05	Bumper
39.00	Exhaust gasket
40.04	Valve ass'y
45.04	Ring
54.03	Trigger valve
55.06	Bush
70.04	Guard
72.03.3	Support
76.04	Pin
76.14	Pin
76.45	Pin
80.08	Trigger
81.09	Trigger
81.15	Safety
90.07	Spring
90.10	Spring
91.03X	Spring
92.01X	Spring
93.02	Spring
21.04.43	Driver
53.00.43	Magazine
62.04.43	Slider
70.00.43	Pusher
81.00.80	Nose
91.04.43	Nose plate
D01	Oiler



Joints

